

VAN SHELVING

Industry-leading strength
and quality design





TOUGH

Durability starts with the extrusion built into every shelf.



QUIET

Shelf tray, end panel and extrusions are engineered for reduced NVH.



ORGANIZED

A well-planned van outfit designed to increase productivity.

VAN SHELVING

APPLICATION GUIDE P. 112

NOMENCLATURE P. 110

SHELVING

DEEP SHELVING FOR HIGH ROOF VANS P. 117

DEEP SHELVING FOR LOW ROOF VANS P. 115

SHELVING FOR LOW ROOF VANS P. 114

SHELVING FOR HIGH ROOF VANS P. 116

SQUARE BACK SHELVING P. 118

FOLD-AWAY SHELVING P. 120

Ranger Design shelving is built to be exceptionally strong and durable, often outlasting the vehicle itself. Engineered for maximum efficiency, this shelving optimizes every inch of a work van's cargo area.

RANGER DESIGN'S SHELVING

Our goal is to simplify the customers' experience and make it easy to install all Ranger Design Shelving and accessories.

These simple shelving systems simplify stocking, accelerate van upfits, and get vehicles on the road faster.

The benefits of Ranger Design shelving :

- > Broad range of lengths and heights
- > Easy installation in all vans
- > High-quality and long-lasting

SHELF TYPE	PROFILE	MATERIALS	COMPATIBLE VEHICLES	SHELF TRAY DEPTH	SHELF HEIGHT	SHELF LENGTHS					
						36"	48"	60"	72"	84"	96"
High Roof Van Shelving	N5	Steel, Composite Aluminum	Box Truck, Step Van & Trailer, BrightDrop, NV, ProMaster, Sprinter, Transit	14"	62"	×	×	×	×	×	×
High Roof Deep Van Shelving	N5-D	Steel	Box Truck, Step Van & Trailer, BrightDrop, NV, ProMaster, Sprinter, Transit	18"	62"	×	×	×	×	×	×
Low Roof Van Shelving	N4	Steel, Composite Aluminum	Box Truck, Step Van & Trailer, Express, Metris, NV, NV200, Savana, Transit	14"	44.5"	×	×	×	×	×	×
Low Roof Deep Van Shelving	N4-D	Steel	Box Truck, Step Van & Trailer, Express, Metris, NV, NV200, Savana, Transit	18"	44.5"	×	×	×	×	×	×
Square Back Van Shelving	S2	Steel, Composite Aluminum	Box Truck, Step Van & Trailer	14"	26"	×	×	×			
Square Back Van Shelving	S3	Steel, Composite Aluminum	Box Truck, Step Van & Trailer	14"	34"	×	×	×			

NOMENCLATURE



A Clarience Technologies Company

PROFILE

MATERIAL
S = STEEL
A = ALUMINUM

OF SHELVES

N5-RA48-4C

DEPTH
R = REGULAR
D = DEEP

WIDTH
INCHES

SHELF TRAY
C = COMPOSITE



VAN SHELVING – APPLICATION GUIDE

APPLICATION GUIDE



TYPE	MATERIAL	BOX TRUCK, STEP VAN & TRAILER	CHEVROLET BRIGHTDROP	CHEVROLET EXPRESS
N4-D Deep Shelving Notch back (44.5" H)	Steel	P. 115		P. 115
N4 Shelving Notch back (44.5" H)	Steel Composite Aluminum	P. 114		P. 114
N5-D Deep Shelving Notch back	Steel	P. 117	P. 117	
N5-R Shelving Notch back (62" H)	Steel Composite Aluminum	P. 116	P. 116	
S2 Shelving Square back (26" H)	Steel Aluminum	P. 118		
S3 Shelving Square back (34" H)	Steel Aluminum	P. 119		

VAN SHELVING

SHELVING LENGTHS



VAN SHELVING – APPLICATION GUIDE



**FORD
TRANSIT**

**GMC
SAVANA**

**MERCEDES-BENZ
METRIS**

**MERCEDES-BENZ
SPRINTER**

NISSAN NV

**NISSAN
NV200**

**RAM
PROMASTER**

P. 115

P. 115

P. 115

P. 115

P. 115

P. 114

P. 114

P. 114

P. 114

P. 114

P. 117

P. 117

P. 117

P. 117

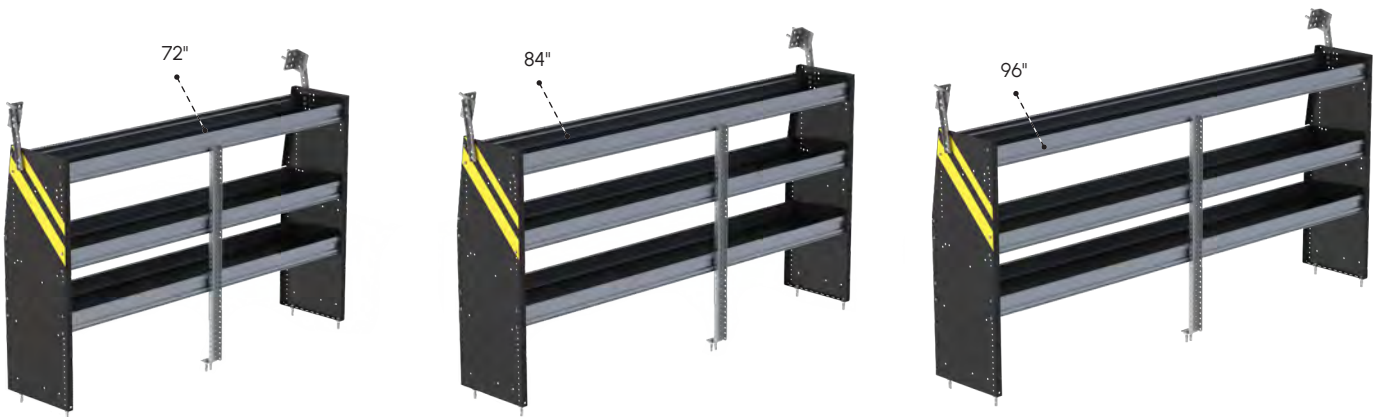
P. 116

P. 116

P. 116

P. 116

VAN SHELVING

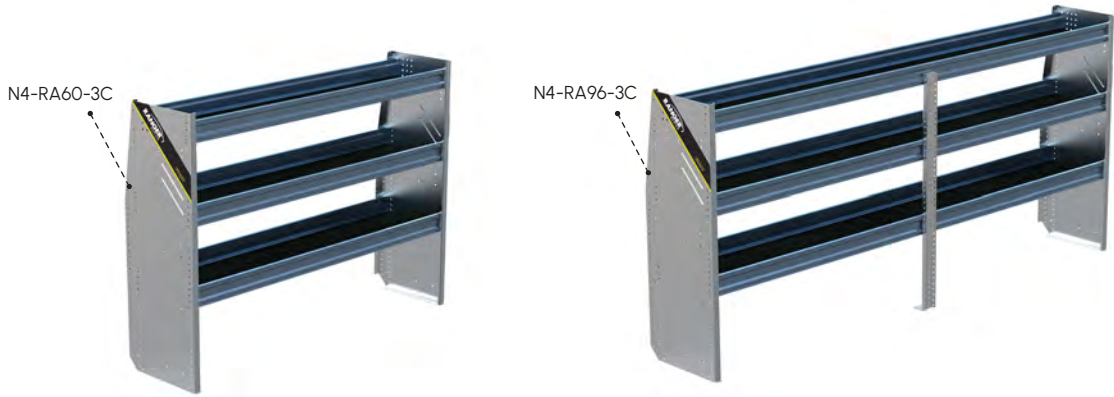


VAN SHELVING

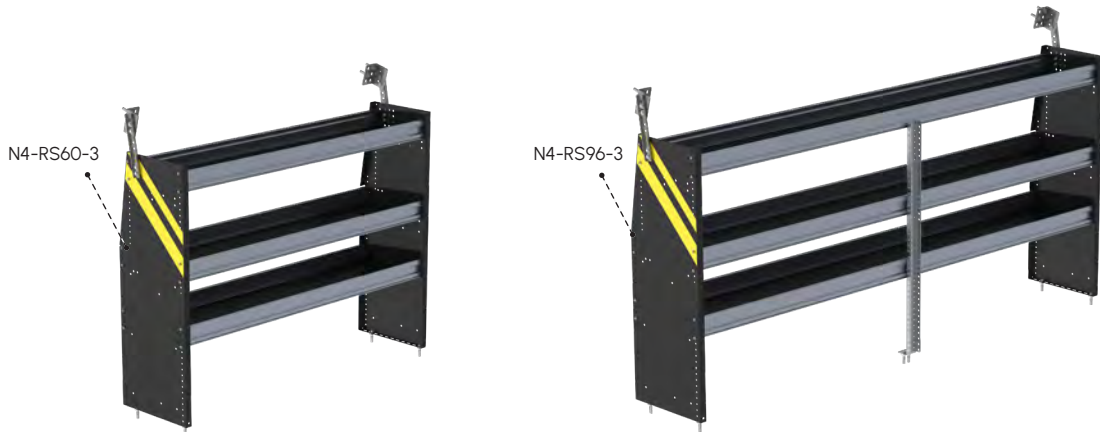
N4 SHELVING FOR LOW ROOF VANS



Box Trucks, Step Vans & Trailers Chevrolet Express Ford Transit 130" Ford Transit 148" GMC Savana Mercedes-Benz Metris 126" (up to 72" shelf) Mercedes-Benz Metris 135" (up to 84" shelf) Nissan NV Low Roof 146" Nissan NV200 (up to 60" shelf)



COMPOSITE ALUMINUM	DIMENSIONS	WEIGHT	SHELF OPENING	SUGGESTED DOOR	INSTALL TIME	QUICKSHIP
N4-RA36-3C	16" D x 36" W x 44.5" H	33 lbs	3 Shelves (12", 14", 14")	77-UI036	1 hr	Yes
N4-RA48-3C	16" D x 48" W x 44.5" H	38 lbs	3 Shelves (12", 14", 14")	77-UI048	1 hr	Yes
N4-RA60-3C	16" D x 60" W x 44.5" H	43 lbs	3 Shelves (12", 14", 14")	77-UI060	1 hr	Yes
N4-RA72-3C	16" D x 72" W x 44.5" H	50 lbs	3 Shelves (12", 14", 14")	77-UI036	1.1 hr	Yes
N4-RA84-3C	16" D x 84" W x 44.5" H	55 lbs	3 Shelves (12", 14", 14")	77-UI036, 77-UI048	1.1 hr	Yes
N4-RA96-3C	16" D x 96" W x 44.5" H	60 lbs	3 Shelves (12", 14", 14")	77-UI048	1.1 hr	Yes

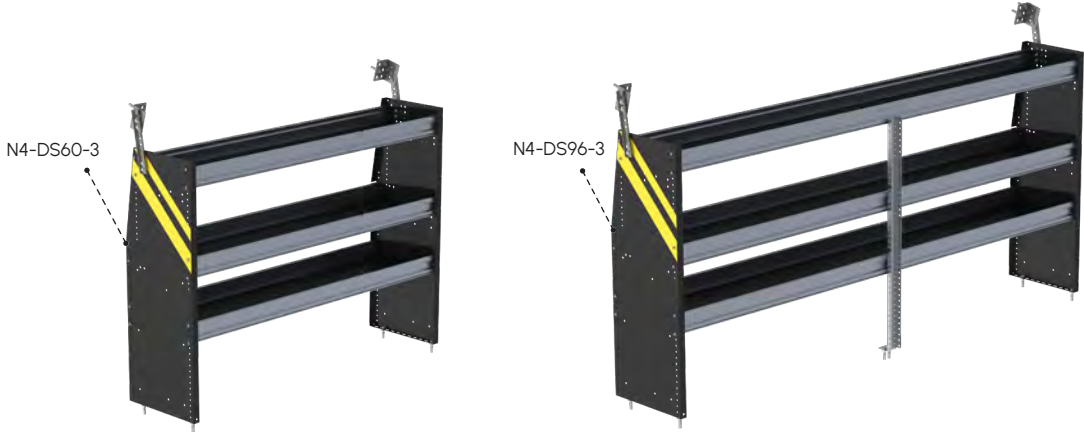


BUY IN BULK
12 UNITS

STEEL	DIMENSIONS	WEIGHT	SHELF OPENING	SUGGESTED DOOR	INSTALL TIME	QUICKSHIP
N4-RS36-3	16" D x 36" W x 44.5" H	50 lbs	3 Shelves (12", 14", 14")	77-UI036	1 hr	Yes
N4-RS48-3	16" D x 48" W x 44.5" H	58 lbs	3 Shelves (12", 14", 14")	77-UI048	1 hr	Yes
N4-RS60-3	16" D x 60" W x 44.5" H	65 lbs	3 Shelves (12", 14", 14")	77-UI060	1 hr	Yes
N4-RS72-3	16" D x 72" W x 44.5" H	75 lbs	3 Shelves (12", 14", 14")	77-UI036	1.1 hr	Yes
N4-RS84-3	16" D x 84" W x 44.5" H	82 lbs	3 Shelves (12", 14", 14")	77-UI036, 77-UI048	1.1 hr	Yes
N4-RS96-3	16" D x 96" W x 44.5" H	90 lbs	3 Shelves (12", 14", 14")	77-UI048	1.1 hr	Yes

VAN SHELVING

N4 DEEP SHELVING FOR LOW ROOF VANS



STEEL	DIMENSIONS	WEIGHT	SHELF OPENING	SUGGESTED DOOR	INSTALL TIME	QUICKSHIP
N4-DS36-3	18.75" D x 36" W x 44.5 H	59 lbs	3 Shelves (16", 18", 18")	77-UI036	1 hr	Yes
N4-DS48-3	18.75" D x 48" W x 44.5 H	68 lbs	3 Shelves (16", 18", 18")	77-UI048	1 hr	Yes
N4-DS60-3	18.75" D x 60" W x 44.5 H	77 lbs	3 Shelves (16", 18", 18")	77-UI060	1 hr	Yes
N4-DS72-3	18.75" D x 72" W x 44.5 H	86 lbs	3 Shelves (16", 18", 18")	77-UI036	1 hr	Yes
N4-DS84-3	18.75" D x 84" W x 44.5 H	95 lbs	3 Shelves (16", 18", 18")	77-UI036, 77-UI048	1 hr	Yes
N4-DS96-3	18.75" D x 96" W x 44.5 H	104 lbs	3 Shelves (16", 18", 18")	77-UI048	1 hr	Yes

COMING SOON...

A NEW LINE OF STEEL SHELVING

LAUNCHING EARLY 2026

VAN SHELVING

N5 SHELVING FOR HIGH ROOF VANS



Box Trucks, Step Vans & Trailers



Chevrolet BrightDrop



Ford Transit



Mercedes-Benz Sprinter



Nissan NV High Roof 146"



RAM ProMaster

N5-RA60-4C



N5-RA96-4C



COMPOSITE ALUMINUM	DIMENSIONS	WEIGHT	SHELF OPENING	SUGGESTED DOOR	INSTALL TIME	QUICKSHIP
N5-RA36-4C	16" D x 36" W x 62" H	44 lbs	4 Shelves (12", 14", 14", 14")	77-UI036	1.2 hr	Yes
N5-RA48-4C	16" D x 48" W x 62" H	50 lbs	4 Shelves (12", 14", 14", 14")	77-UI048	1.2 hr	Yes
N5-RA60-4C	16" D x 60" W x 62" H	57 lbs	4 Shelves (12", 14", 14", 14")	77-UI060	1.2 hr	Yes
N5-RA72-4C	16" D x 72" W x 62" H	67 lbs	4 Shelves (12", 14", 14", 14")	77-UI036	1.4 hr	Yes
N5-RA84-4C	16" D x 84" W x 62" H	73 lbs	4 Shelves (12", 14", 14", 14")	77-UI036, 77-UI048	1.4 hr	Yes
N5-RA96-4C	16" D x 96" W x 62" H	80 lbs	4 Shelves (12", 14", 14", 14")	77-UI048	1.4 hr	Yes

N5-RS60-4



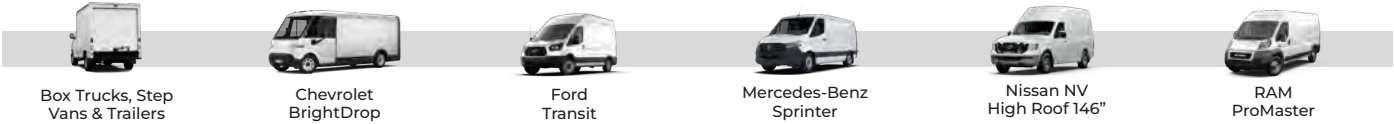
N5-RS96-4



BUY IN BULK
12 UNITS

STEEL	DIMENSIONS	WEIGHT	SHELF OPENING	SUGGESTED DOOR	INSTALL TIME	QUICKSHIP
N5-RS36-4	16" D x 36" W x 62" H	68 lbs	4 Shelves (12", 14", 14", 14")	77-UI036	1.2 hrs	Yes
N5-RS48-4	16" D x 48" W x 62" H	78 lbs	4 Shelves (12", 14", 14", 14")	77-UI048	1.2 hrs	Yes
N5-RS60-4	16" D x 60" W x 62" H	88 lbs	4 Shelves (12", 14", 14", 14")	77-UI060	1.2 hrs	Yes
N5-RS72-4	16" D x 72" W x 62" H	100 lbs	4 Shelves (12", 14", 14", 14")	77-UI036	1.4 hrs	Yes
N5-RS84-4	16" D x 84" W x 62" H	111 lbs	4 Shelves (12", 14", 14", 14")	77-UI036, 77-UI048	1.4 hrs	Yes
N5-RS96-4	16" D x 96" W x 62" H	121 lbs	4 Shelves (12", 14", 14", 14")	77-UI048	1.4 hrs	Yes

N5 DEEP SHELVING FOR HIGH ROOF VANS



STEEL	DIMENSIONS	WEIGHT	SHELF OPENING	SUGGESTED DOOR	INSTALL TIME	QUICKSHIP
N5-DS36-4	20" D x 36" W x 62" H	80 lbs	4 Shelves (16", 18", 18", 18")	77-UI036	1.2 hr	Yes
N5-DS48-4	20" D x 48" W x 62" H	92 lbs	4 Shelves (16", 18", 18", 18")	77-UI048	1.2 hr	Yes
N5-DS60-4	20" D x 60" W x 62" H	88 lbs	4 Shelves (16", 18", 18", 18")	77-UI060	1.2 hr	Yes
N5-DS72-4	20" D x 72" W x 62" H	119 lbs	4 Shelves (16", 18", 18", 18")	77-UI036	1.4 hr	Yes
N5-DS84-4	20" D x 84" W x 62" H	131 lbs	4 Shelves (16", 18", 18", 18")	77-UI036, 77-UI048	1.4 hr	Yes
N5-DS96-4	20" D x 96" W x 62" H	143 lbs	4 Shelves (16", 18", 18", 18")	77-UI048	1.4 hr	Yes

VAN SHELVING



STEEL DEEP SHELVING IN THE FORD TRANSIT (N5-DS48-4)

VAN SHELVING

S2 SHELVING SQUARE BACK



Box Trucks, Step
Vans & Trailers



COMPOSITE ALUMINUM	DIMENSIONS	WEIGHT	SHELF OPENING	SUGGESTED DOOR	INSTALL TIME	QUICKSHIP
S2-RA36-2C	16" D × 36" W × 26" H	24 lbs	2 Shelves (14", 14")	77-UI036	0.9 hr	Yes
S2-RA48-2C	16" D × 48" W × 26" H	27 lbs	2 Shelves (14", 14")	77-UI048	0.9 hr	Yes
S2-RA60-2C	16" D × 60" W × 26" H	31 lbs	2 Shelves (14", 14")	77-UI060	0.9 hr	Yes



STEEL	DIMENSIONS	WEIGHT	SHELF OPENING	SUGGESTED DOOR	INSTALL TIME	QUICKSHIP
S2-RS36-2	16" D × 36" W × 26" H	35 lbs	2 Shelves (14", 14")	77-UI036	0.9 hr	No
S2-RS48-2	16" D × 48" W × 26" H	40 lbs	2 Shelves (14", 14")	77-UI048	0.9 hr	No
S2-RS60-2	16" D × 60" W × 26" H	46 lbs	2 Shelves (14", 14")	77-UI060	0.9 hr	No

VAN SHELVING

S3 SHELVING SQUARE BACK



Box Trucks, Step Vans & Trailers



COMPOSITE ALUMINUM	DIMENSIONS	WEIGHT	SHELF OPENING	SUGGESTED DOOR	INSTALL TIME	QUICKSHIP
S3-RA36-3C	16" D x 36" W x 34" H	39 lbs	3 Shelves (14", 14", 14")	77-UI036	1 hr	Yes
S3-RA48-3C	16" D x 48" W x 34" H	47 lbs	3 Shelves (14", 14", 14")	77-UI048	1 hr	Yes
S3-RA60-3C	16" D x 60" W x 34" H	55 lbs	3 Shelves (14", 14", 14")	77-UI060	1 hr	Yes



STEEL	DIMENSIONS	WEIGHT	SHELF OPENING	SUGGESTED DOOR	INSTALL TIME	QUICKSHIP
S3-RS36-3	16" D x 36" W x 34" H	47 lbs	3 Shelves (14", 14", 14")	77-UI036	1 hr	Yes
S3-RS48-3	16" D x 48" W x 34" H	55 lbs	3 Shelves (14", 14", 14")	77-UI048	1 hr	Yes
S3-RS60-3	16" D x 60" W x 34" H	63 lbs	3 Shelves (14", 14", 14")	77-UI060	1 hr	Yes

RANGER DESIGN'S FOLD-AWAY

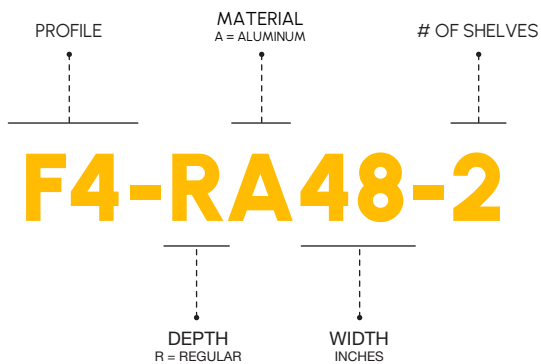
Ranger Design's Fold-Away Shelving is designed to provide delivery companies with the most flexible storage solution possible. The folding shelves allow drivers to quickly and easily adjust the configuration to meet their delivery needs.

Each shelf can accommodate packages of various sizes, while large skids can be placed on the floor to eliminate wasted space and boost efficiency.

Benefits of Fold-Away Shelving :

- > Quiet and rattle-free
- > Easy installation in all vans
- > Maximization of cargo space
- > Anti-pinch guards to ensure safety

NOMENCLATURE



PROFILES

PROFILES	DESCRIPTION
F4	48" H Fold-Away
F5	63" H Fold-Away



VAN SHELVING – FOLD-AWAY



ALUMINUM	DESCRIPTION	DIMENSIONS	WEIGHT	INSTALL TIME	QUICKSHIP
84-U0048	Fold-Away Post with foot	3" D × 1" W × 48" H	10 lbs	0.5 hr	Yes
84-U0063	Fold-Away Post with foot	3" D × 1" W × 63" H	11 lbs	0.5 hr	Yes

Dimensions shown do not include the extra height of the feet or width of the brackets and feet.



18" SHELF TRAYS

ALUMINUM	DESCRIPTION	DIMENSIONS	WEIGHT	SHELF OPENING	INSTALL TIME	QUICKSHIP
84-U1830	Fold-Away shelf tray	18" D × 30" W	19 lbs	18"	0.3 hr	Yes
84-U1836	Fold-Away shelf tray	18" D × 36" W	20 lbs	18"	0.3 hr	Yes
84-U1848	Fold-Away shelf tray	18" D × 48" W	23 lbs	18"	0.3 hr	Yes
84-U1860	Fold-Away shelf tray	18" D × 60" W	27 lbs	18"	0.3 hr	Yes
84-U1872	Fold-Away shelf tray	18" D × 72" W	30 lbs	18"	0.3 hr	Yes

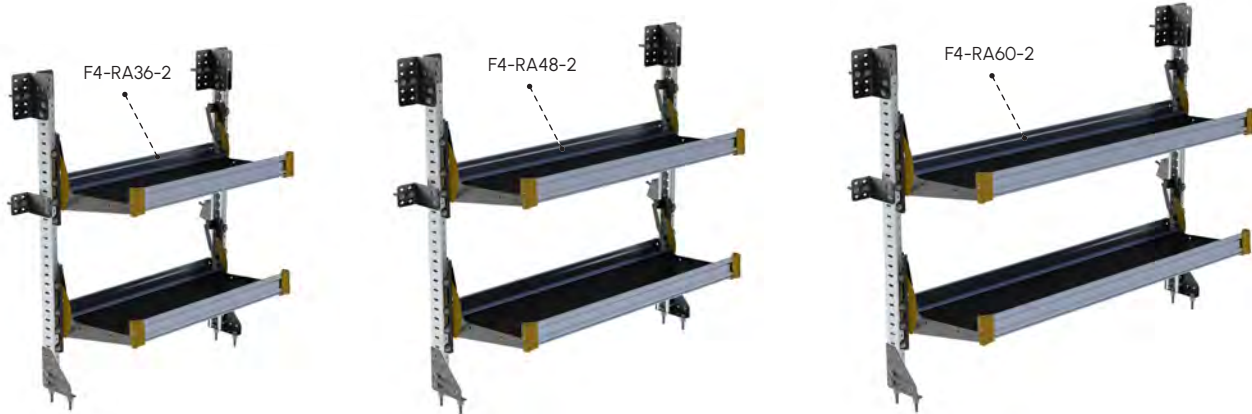
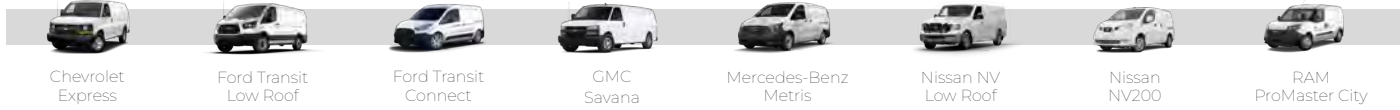
20" SHELF TRAYS

ALUMINUM	DESCRIPTION	DIMENSIONS	WEIGHT	SHELF OPENING	INSTALL TIME	QUICKSHIP
84-U2036	Fold-Away shelf tray	20" D × 36" W	22 lbs	20"	0.3 hr	Yes
84-U2048	Fold-Away shelf tray	20" D × 48" W	25 lbs	20"	0.3 hr	Yes
84-U2060	Fold-Away shelf tray	20" D × 60" W	28 lbs	20"	0.3 hr	Yes
84-U2072	Fold-Away shelf tray	20" D × 72" W	32 lbs	20"	0.3 hr	Yes

VAN SHELVING

F4 FOLD-AWAY SHELVING FOR LOW ROOF VANS

F4-RA72-2 does not fit the Nissan NV200



ALUMINUM	DESCRIPTION	DIMENSIONS	WEIGHT	SHELF OPENING	WEIGHT CAPACITY	INSTALL TIME	QUICKSHIP
F4-RA30-2	Fold-Away unit with 2 shelves	22" D x 30" W x 48" H	58 lbs	2 shelves (18", 18")	250 lbs	1.6 hrs	Yes
F4-RA36-2	Fold-Away unit with 2 shelves	22" D x 36" W x 48" H	61 lbs	2 shelves (18", 18")	250 lbs	1.6 hrs	Yes
F4-RA48-2	Fold-Away unit with 2 shelves	22" D x 48" W x 48" H	68 lbs	2 shelves (18", 18")	250 lbs	1.6 hrs	Yes
F4-RA60-2	Fold-Away unit with 2 shelves	22" D x 60" W x 48" H	74 lbs	2 shelves (18", 18")	250 lbs	1.6 hrs	Yes
F4-RA72-2	Fold-Away unit with 2 shelves	22" D x 72" W x 48" H	80 lbs	2 shelves (18", 18")	250 lbs	1.6 hrs	Yes

The width shown does not include the brackets. Please allow an additional 6" per bracket when mounting to the van wall.



FOLD-AWAY SHELVING IN THE MERCEDES-BENZ SPRINTER (F5-RA48-2)

F5 FOLD-AWAY SHELVING FOR MEDIUM / HIGH ROOF VANS

3-Shelf units don't fit over the wheel well in the ProMaster



Box Truck,
Step Van &
Trailer



Chevrolet
Brightdrop



Ford Transit
High / Medium
Roof



Mercedes-Benz
Sprinter



Nissan NV
High Roof



RAM
ProMaster



F5-RA36-2



F5-RA48-2



F5-RA60-2

ALUMINUM	DESCRIPTION	DIMENSIONS	WEIGHT	SHELF OPENING	WEIGHT CAPACITY	INSTALL TIME	QUICKSHIP
F5-RA36-2	Fold-Away unit with 2 shelves	25" D x 36" W x 63" H	66 lbs	2 shelves (20", 20")	250 lbs	1.6 hrs	Yes
F5-RA48-2	Fold-Away unit with 2 shelves	25" D x 48" W x 63" H	72 lbs	2 shelves (20", 20")	250 lbs	1.6 hrs	Yes
F5-RA60-2	Fold-Away unit with 2 shelves	25" D x 60" W x 63" H	79 lbs	2 shelves (20", 20")	250 lbs	1.6 hrs	Yes
F5-RA72-2	Fold-Away unit with 2 shelves	25" D x 72" W x 63" H	86 lbs	2 shelves (20", 20")	250 lbs	1.6 hrs	Yes

The width shown does not include the brackets. Please allow an additional 6" per bracket when mounting to the van wall.



F5-RA36-3



F5-RA48-3



F5-RA60-3

ALUMINUM	DESCRIPTION	DIMENSIONS	WEIGHT	SHELF OPENING	WEIGHT CAPACITY	INSTALL TIME	QUICKSHIP
F5-RA36-3	Fold-Away unit, with 3 shelves	22" D x 36" W x 63" H	84 lbs	3 shelves (18", 18", 18")	300 lbs	1.9 hrs	Yes
F5-RA48-3	Fold-Away unit, with 3 shelves	22" D x 48" W x 63" H	93 lbs	3 shelves (18", 18", 18")	300 lbs	1.9 hrs	Yes
F5-RA60-3	Fold-Away unit, with 3 shelves	22" D x 60" W x 63" H	102 lbs	3 shelves (18", 18", 18")	300 lbs	1.9 hrs	Yes
F5-RA72-3	Fold-Away unit, with 3 shelves	22" D x 72" W x 63" H	112 lbs	3 shelves (18", 18", 18")	300 lbs	1.9 hrs	Yes

The width shown does not include the brackets. Please allow an additional 6" per bracket when mounting to the van wall.